

BIONICLE

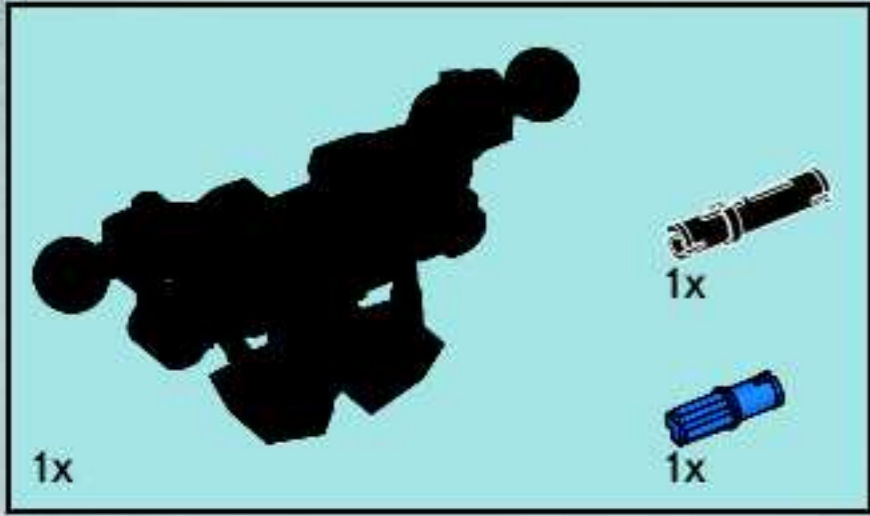
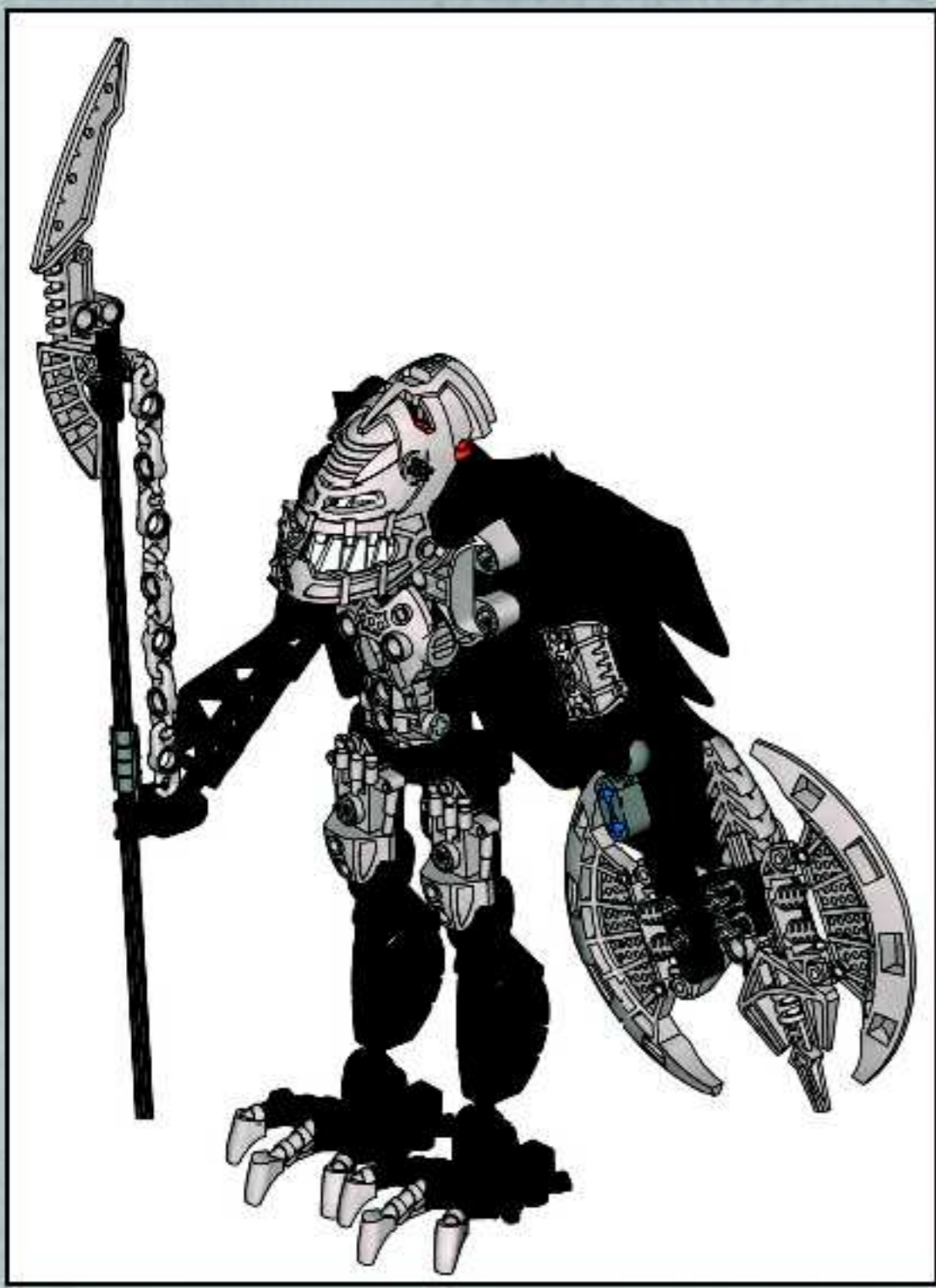
WWW.BIONICLE.COM



VEZON
& KARDAS

10204

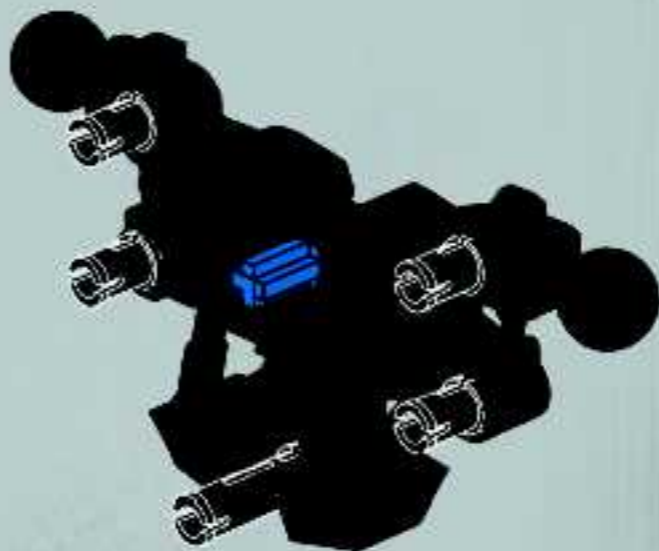
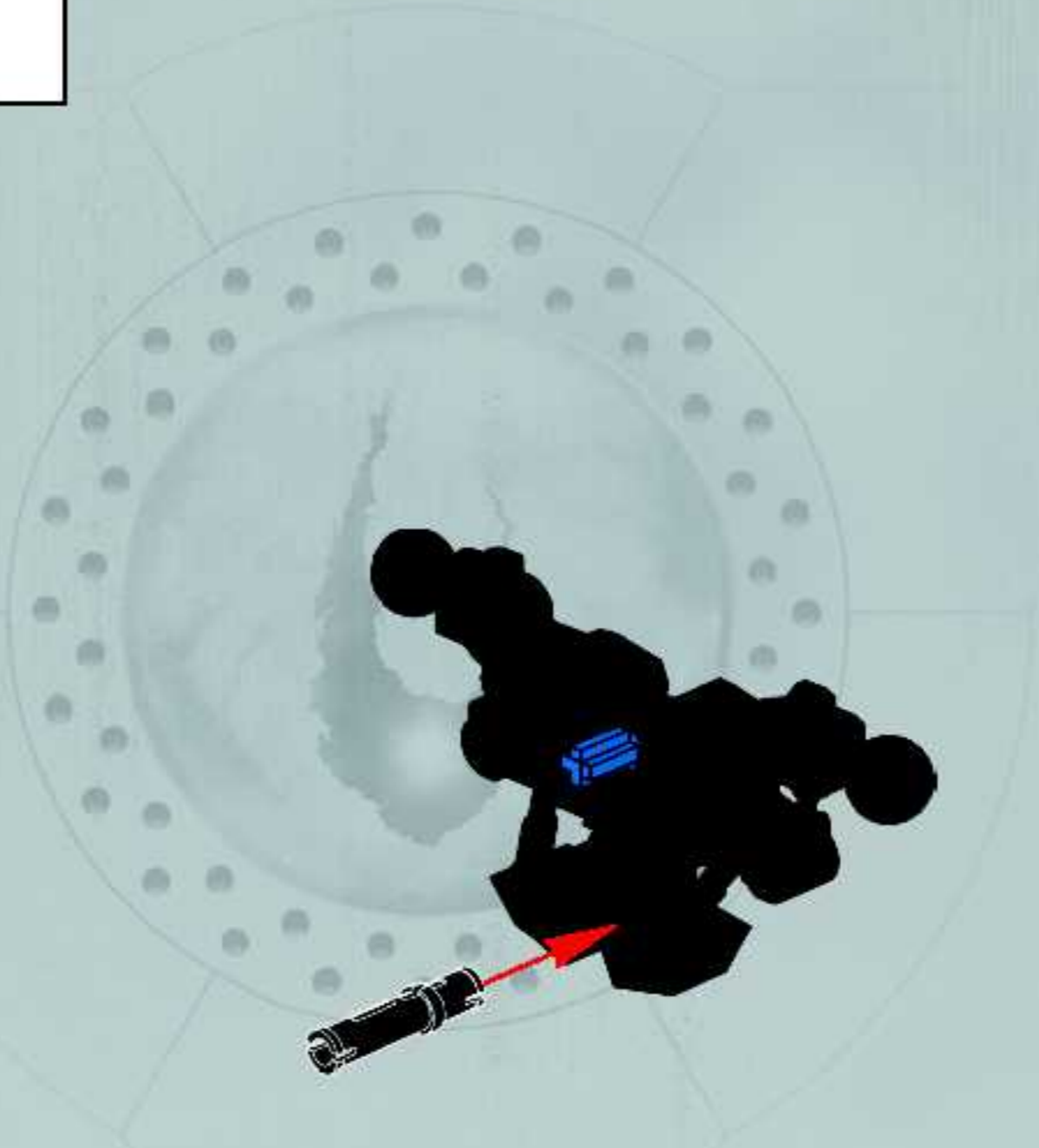


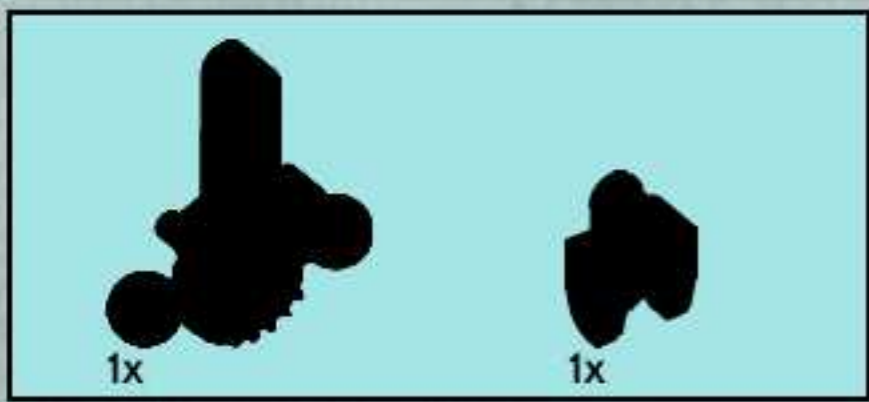


1

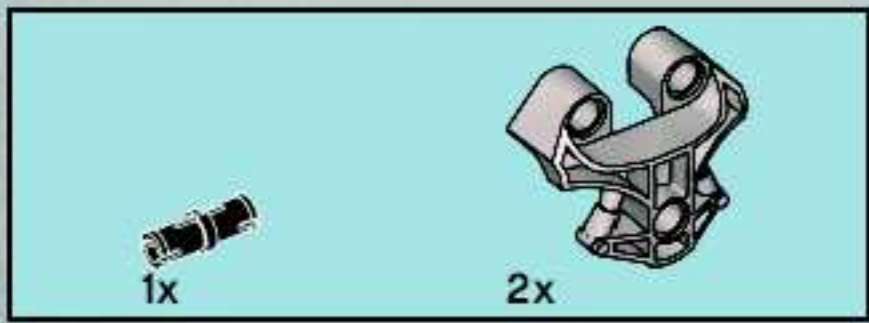


2

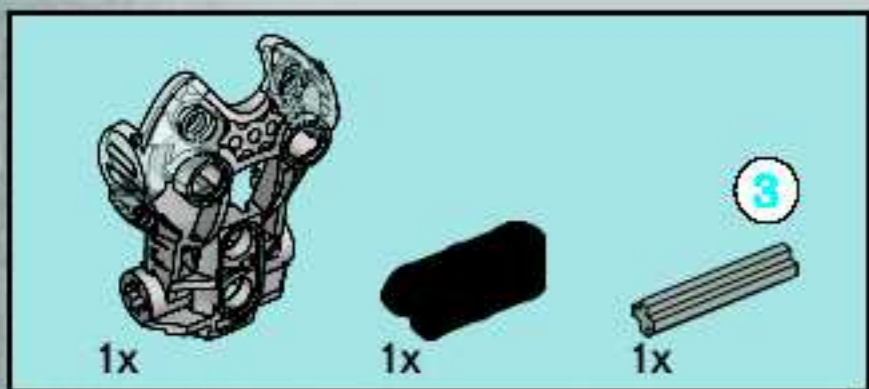
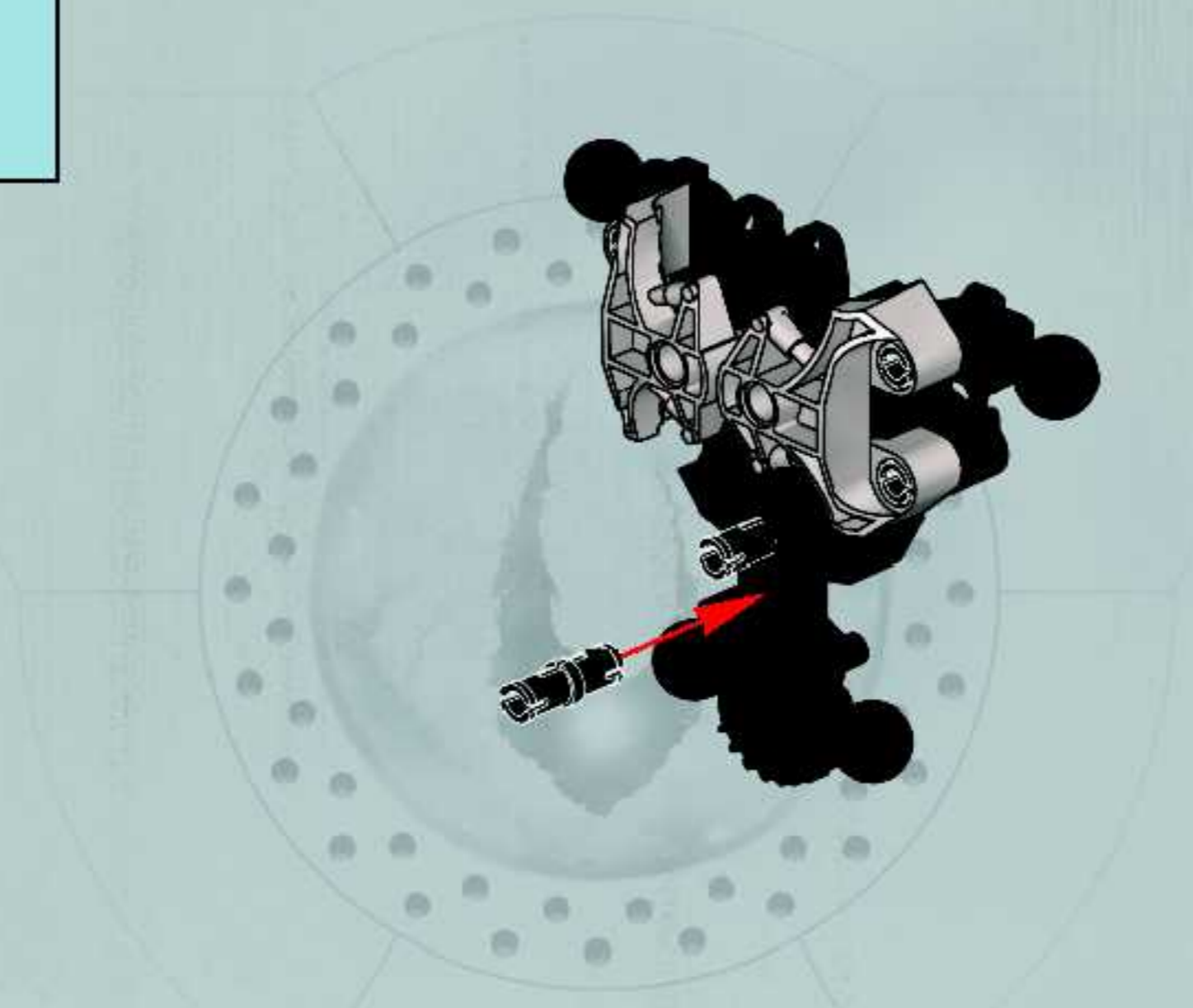




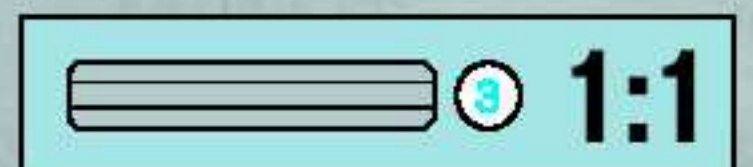
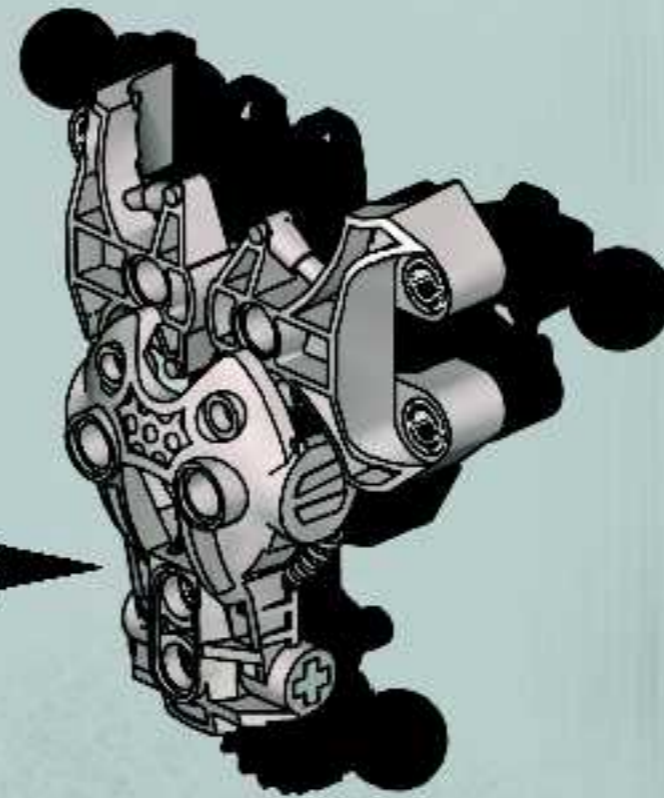
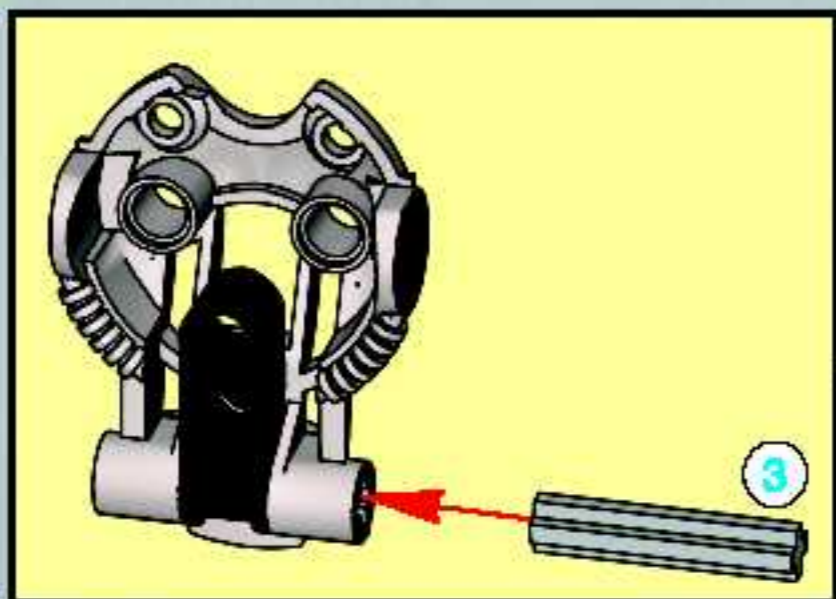
3

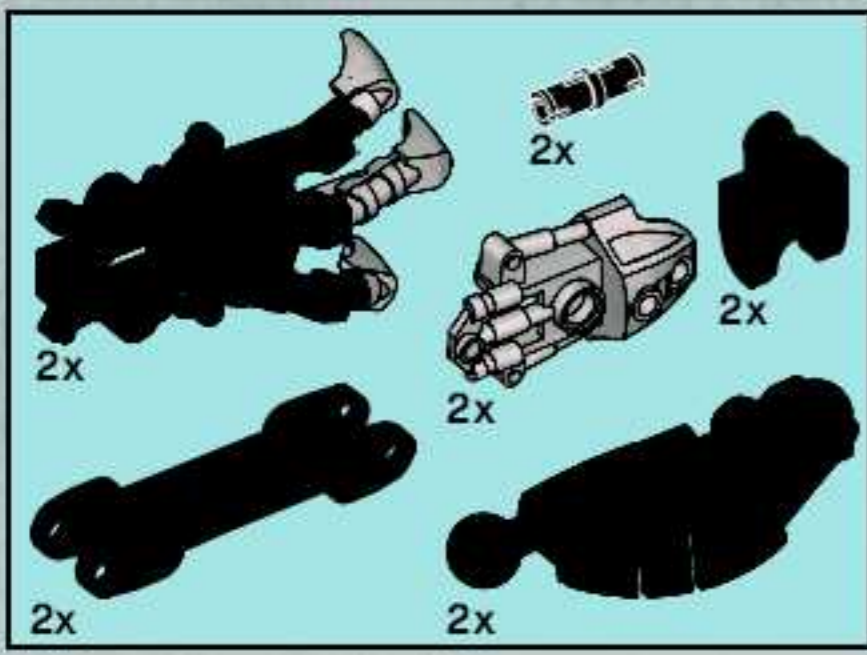


4

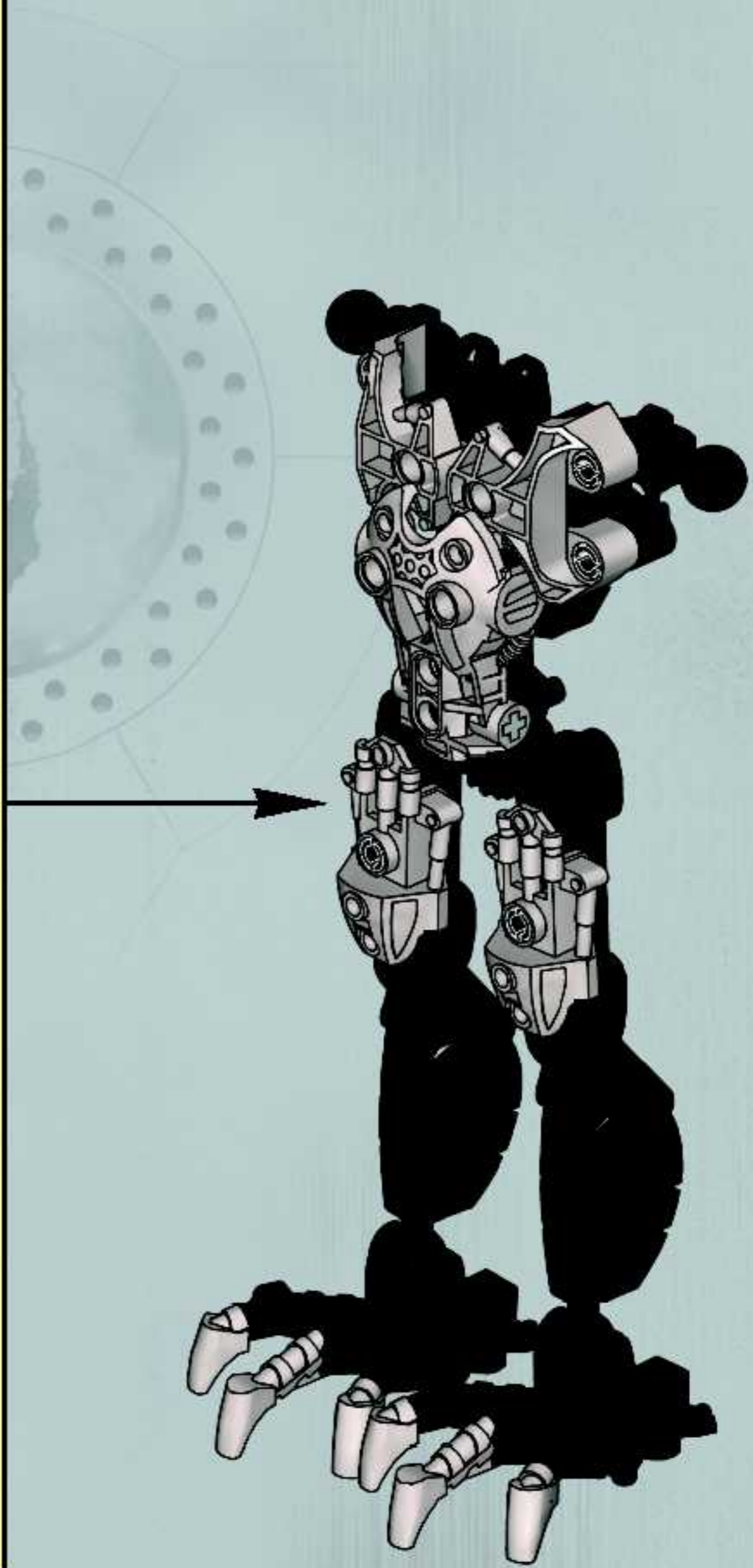
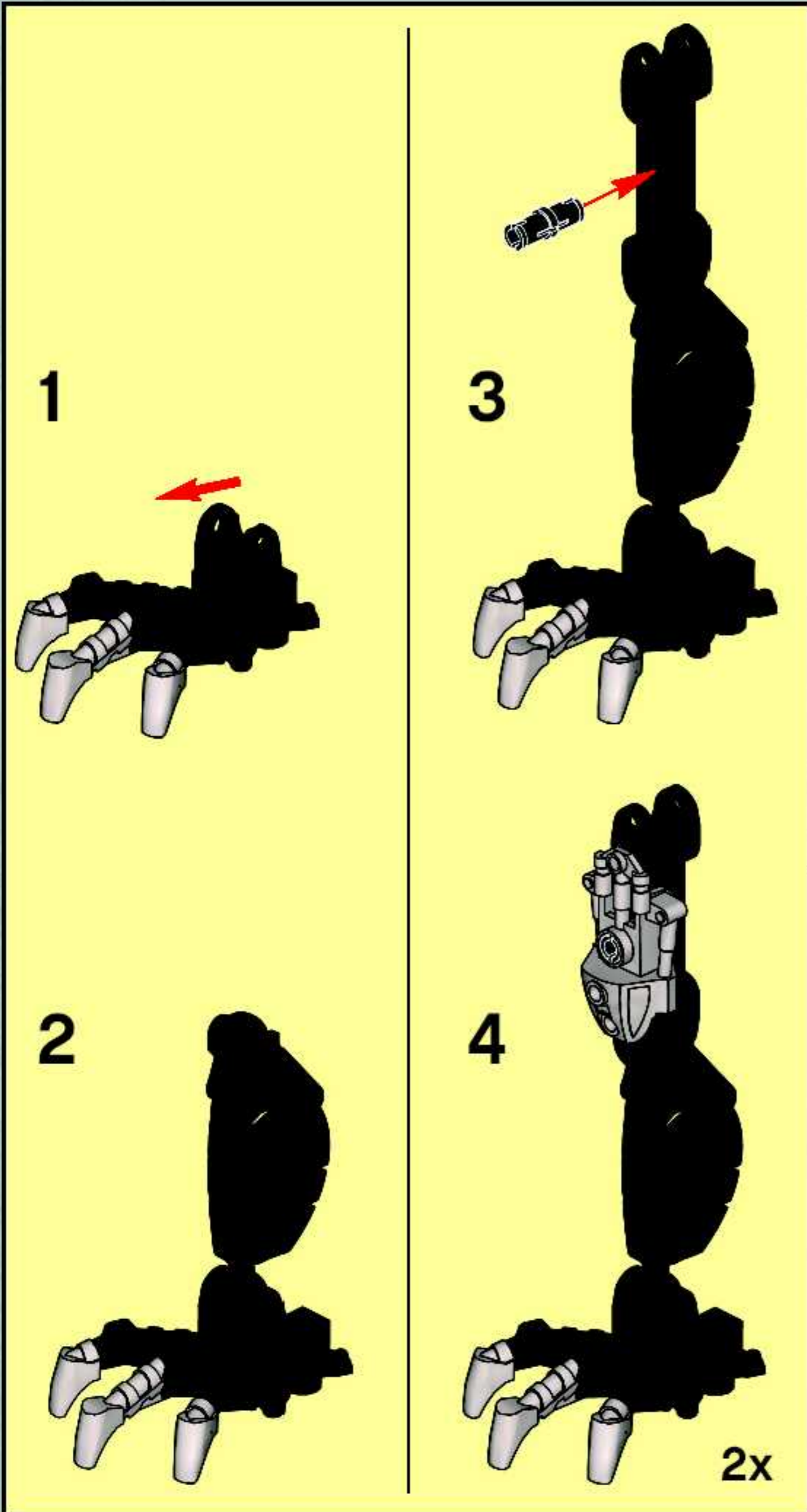


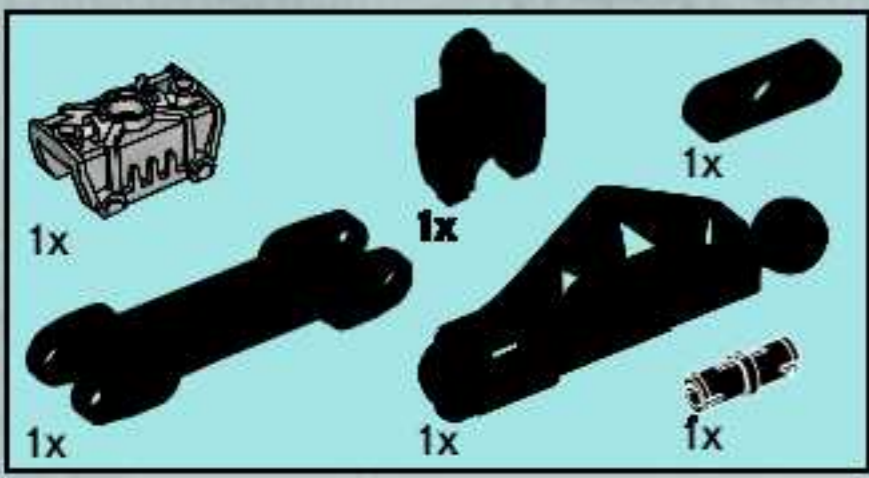
5



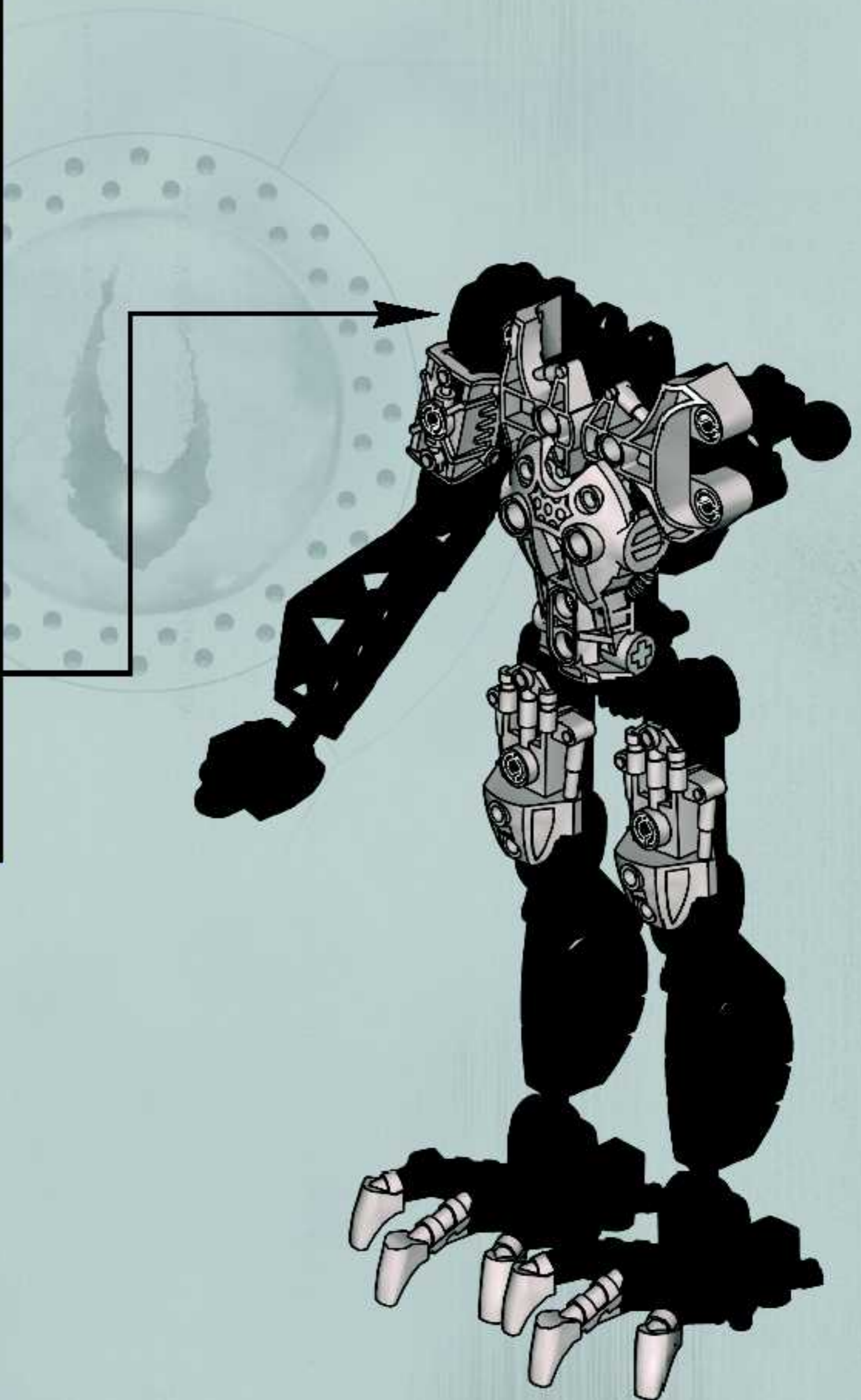
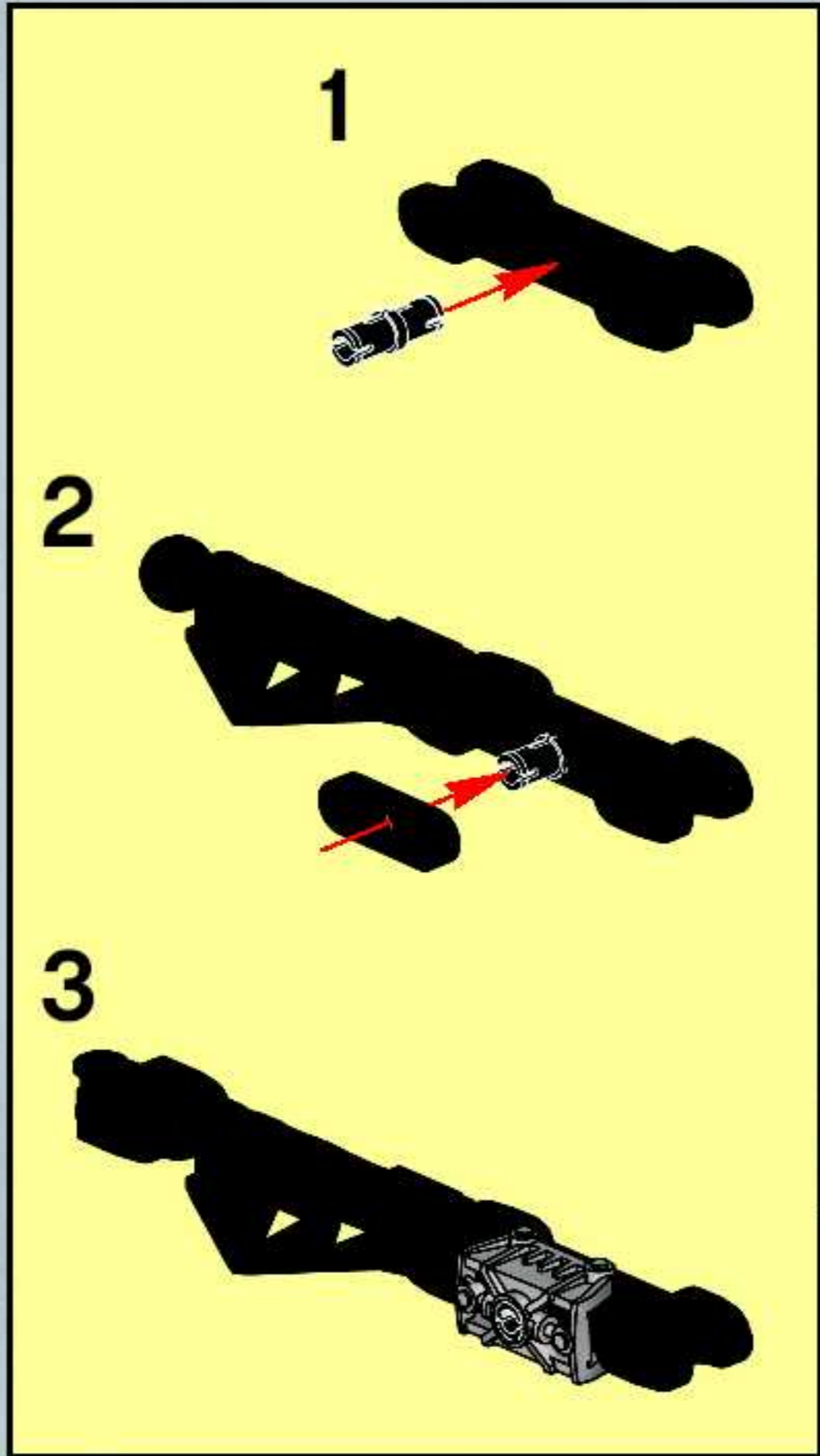


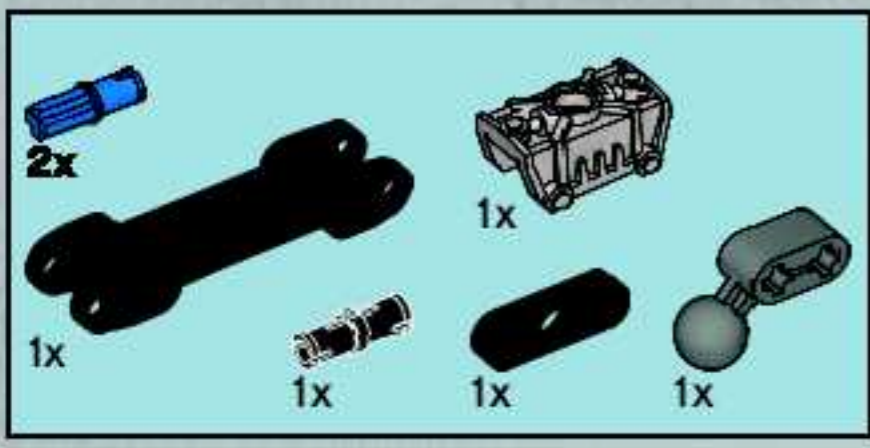
6



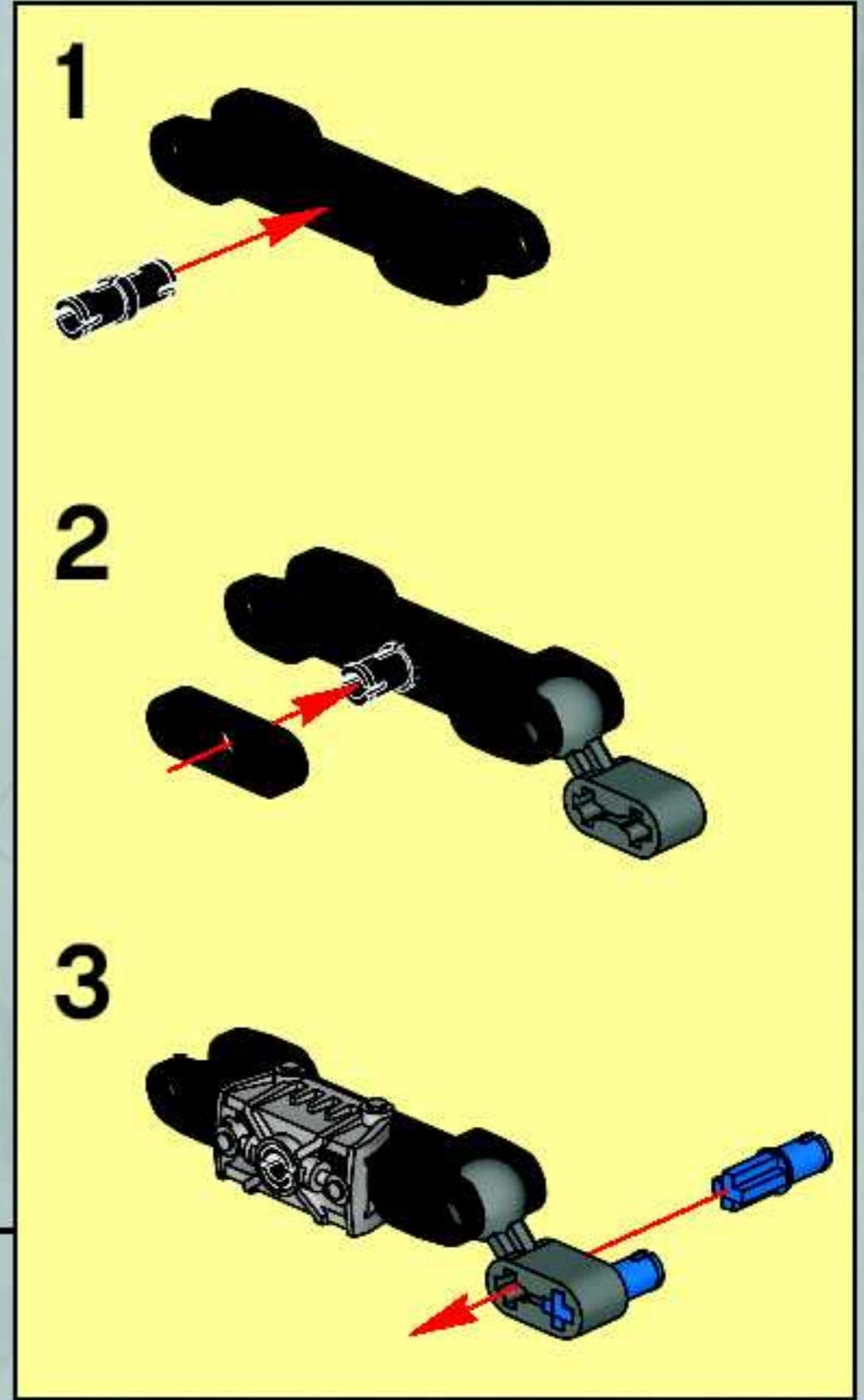
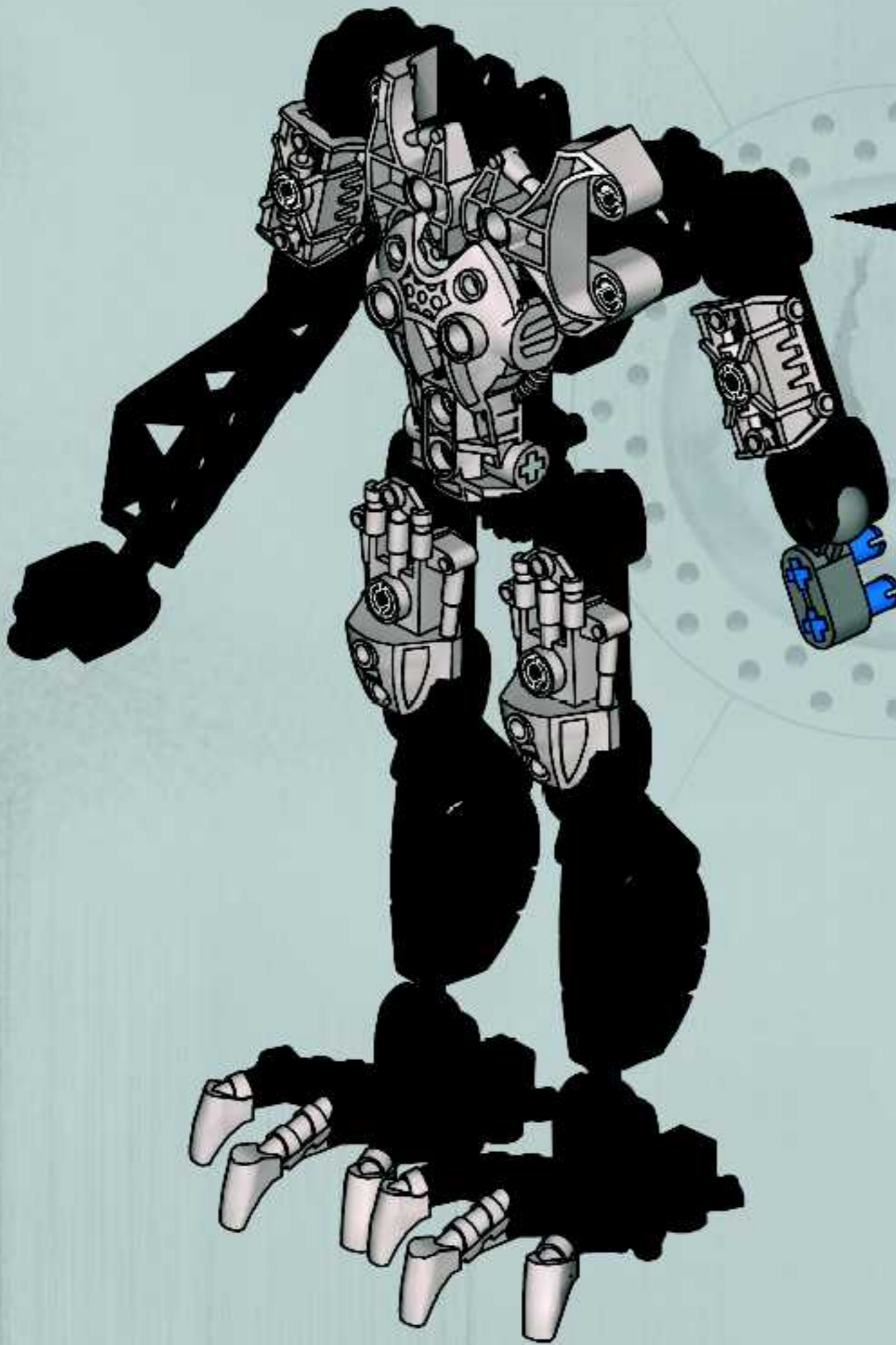


7

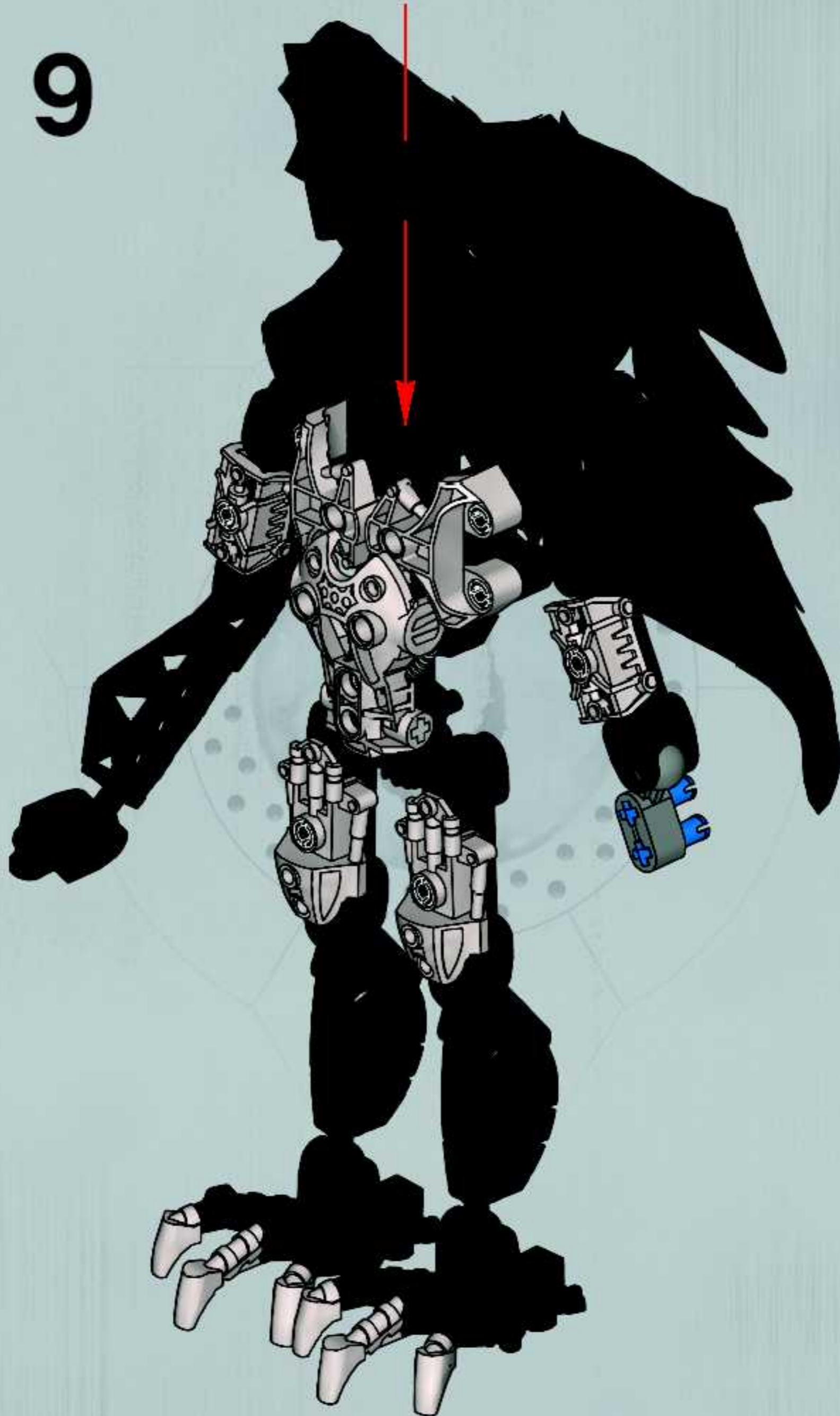


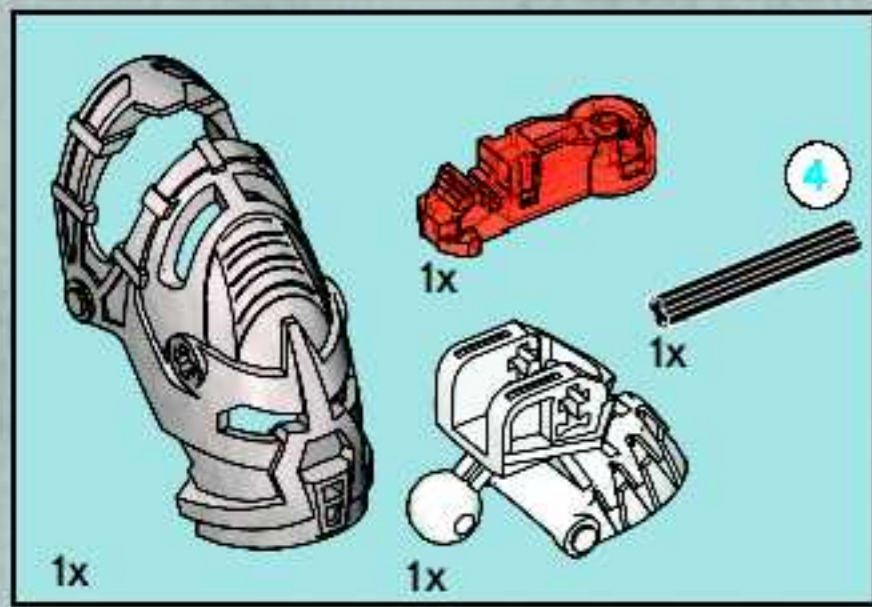


8



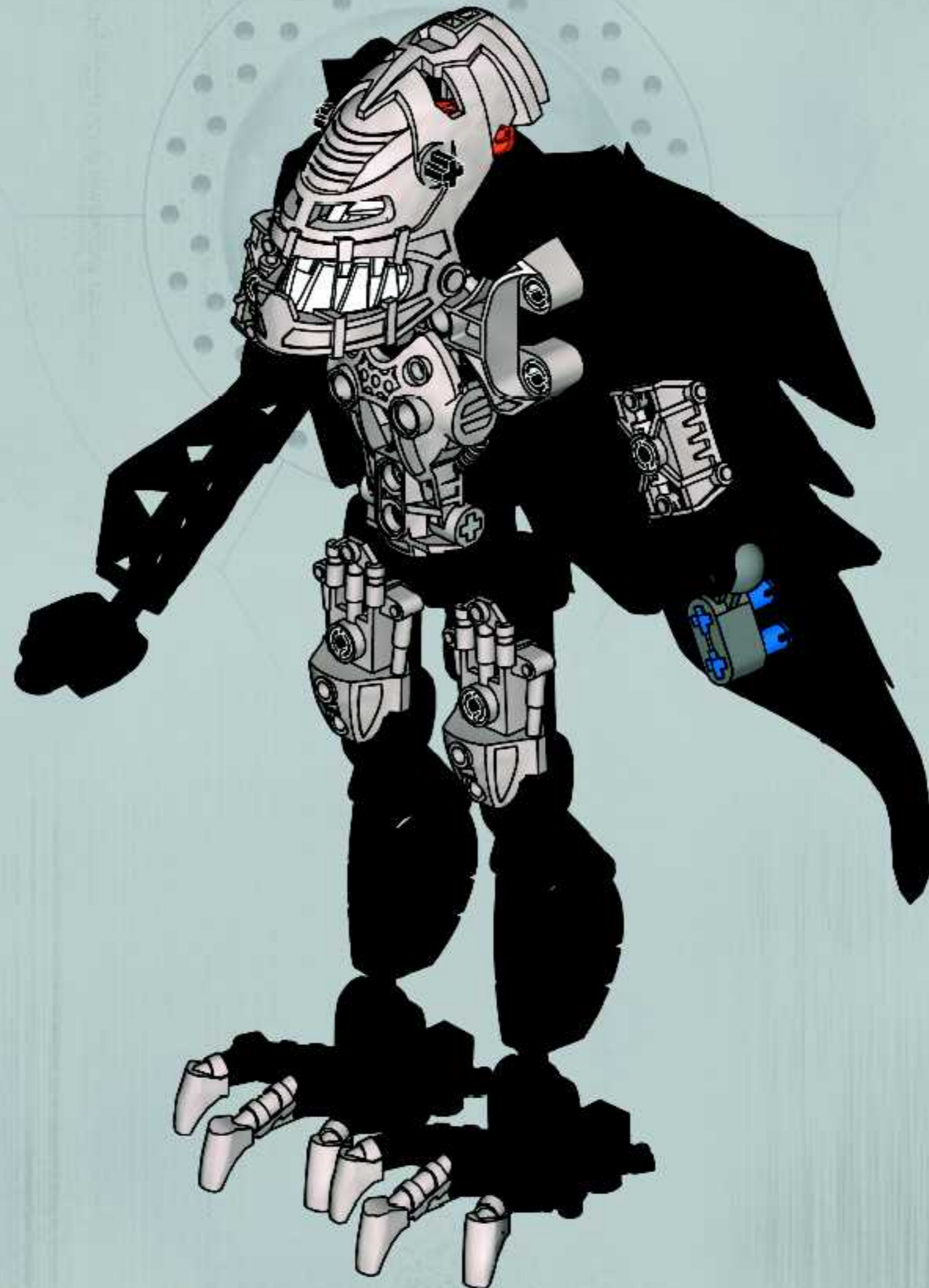
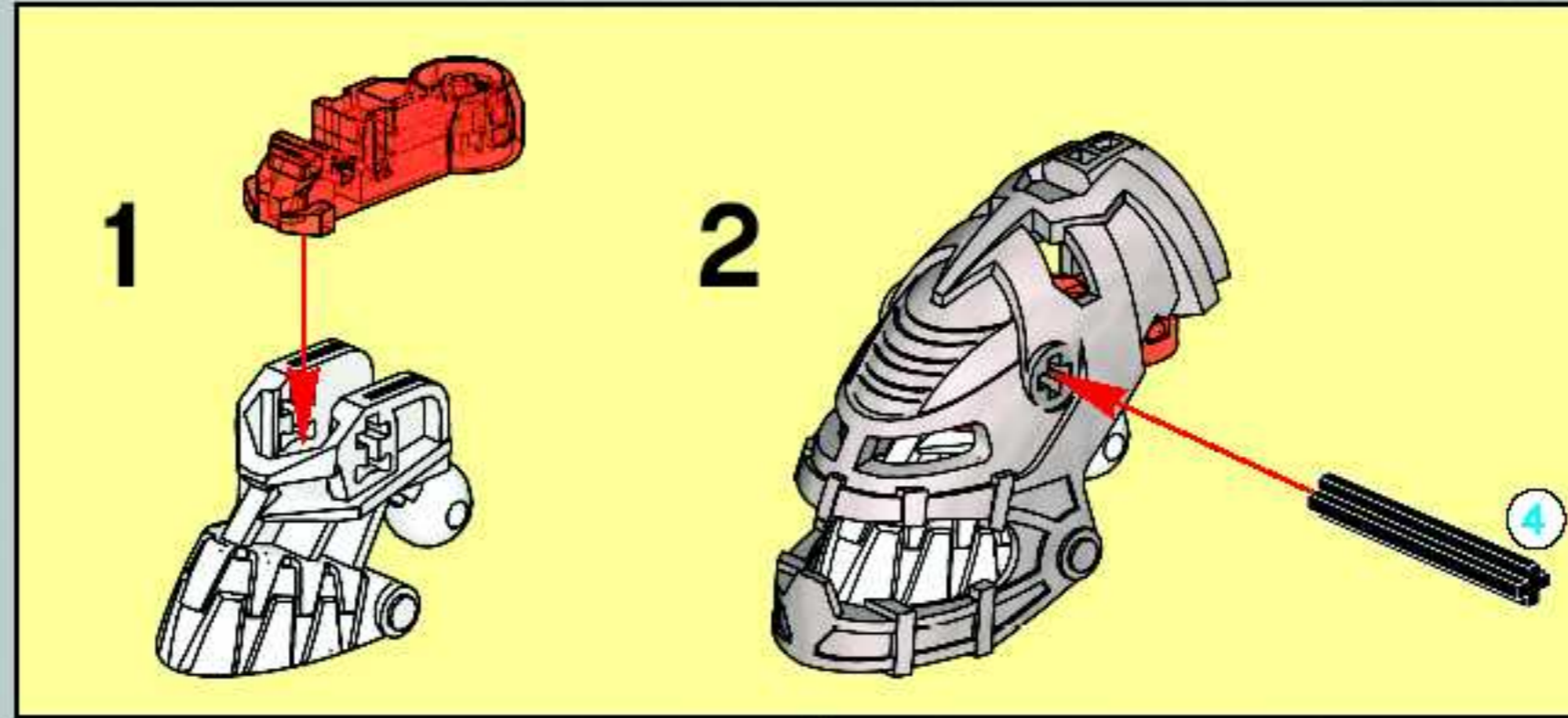
9

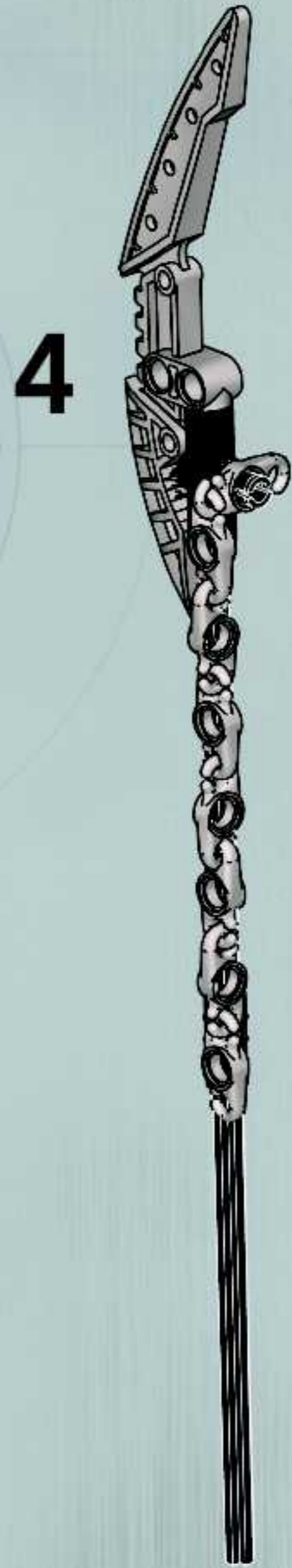
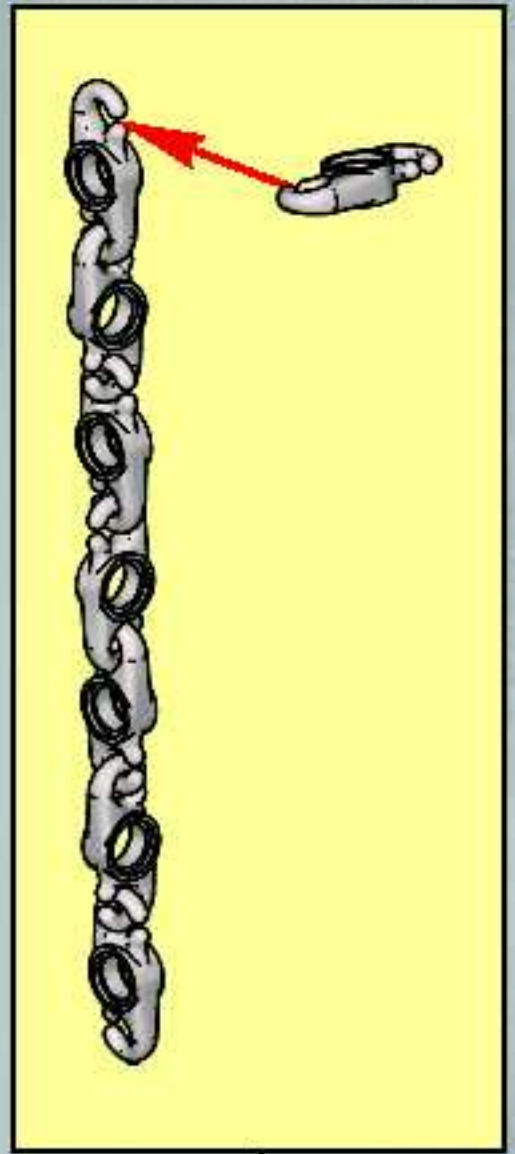
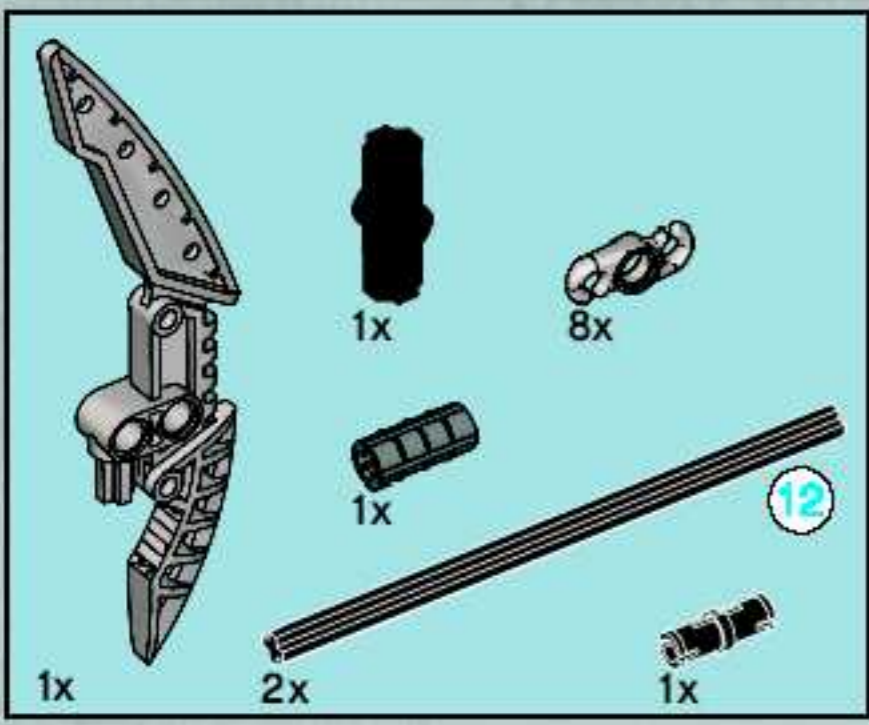




Battery is not replaceable
La pile n'est pas remplaçable
La batería no es reemplazable

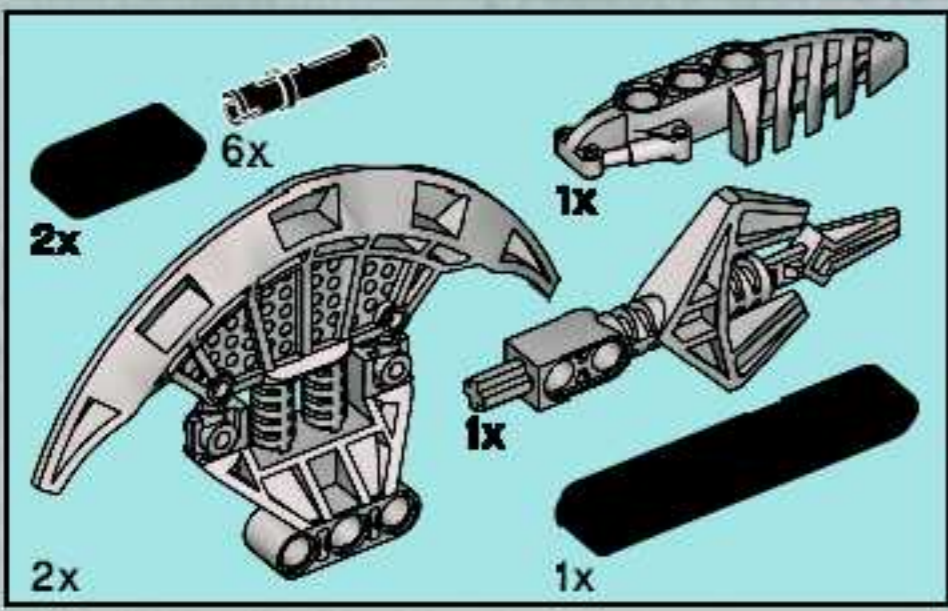
10



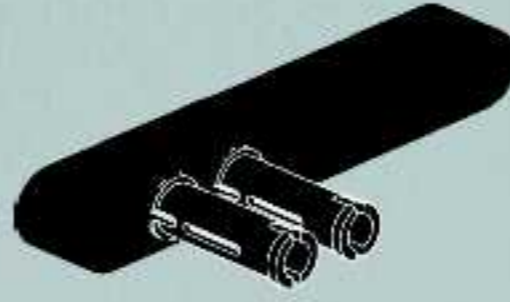


11

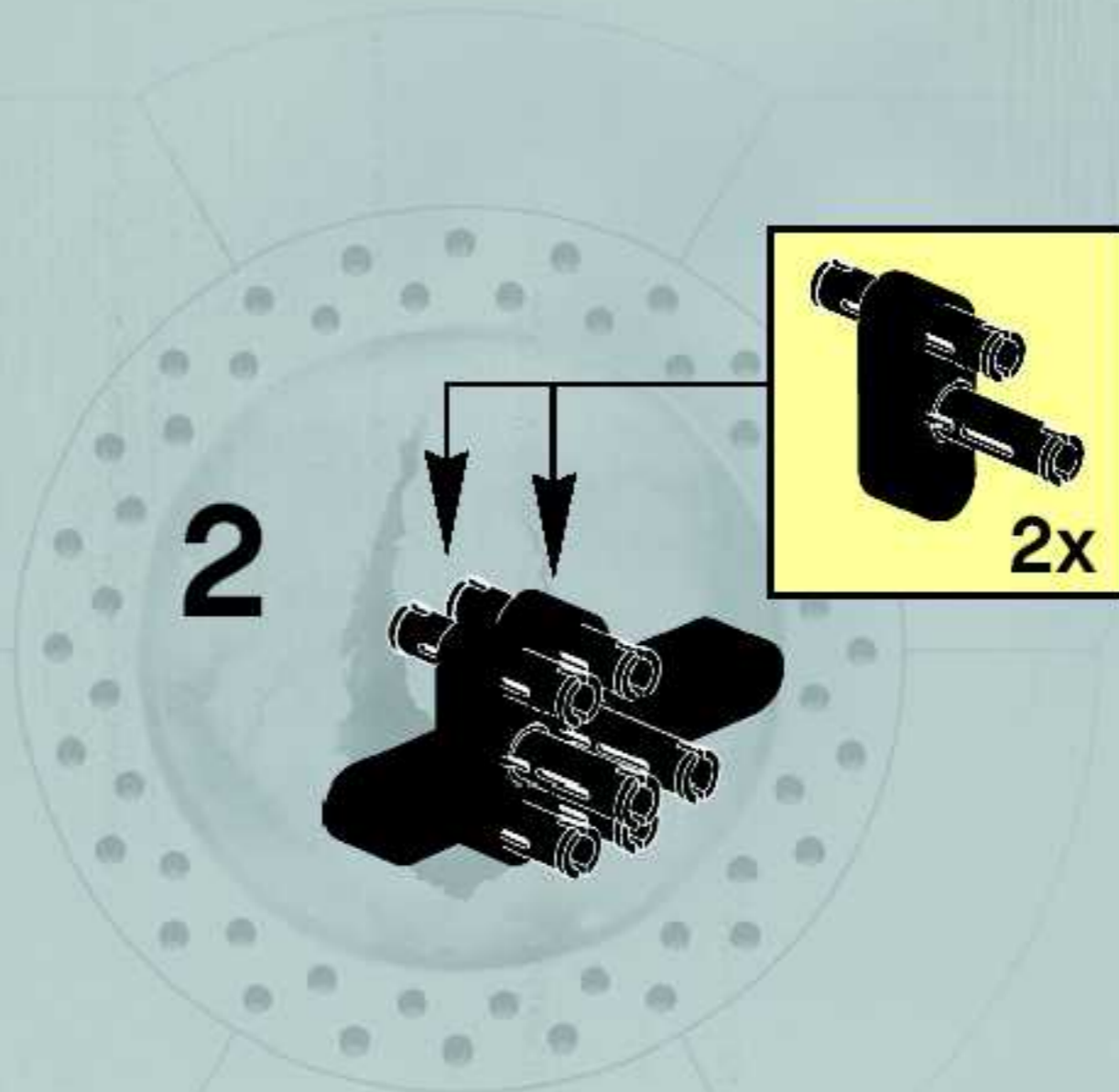




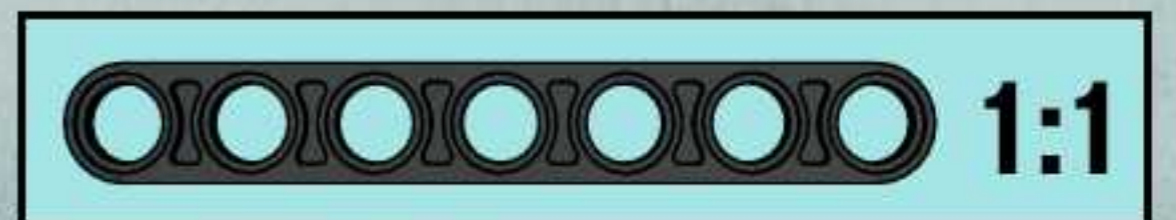
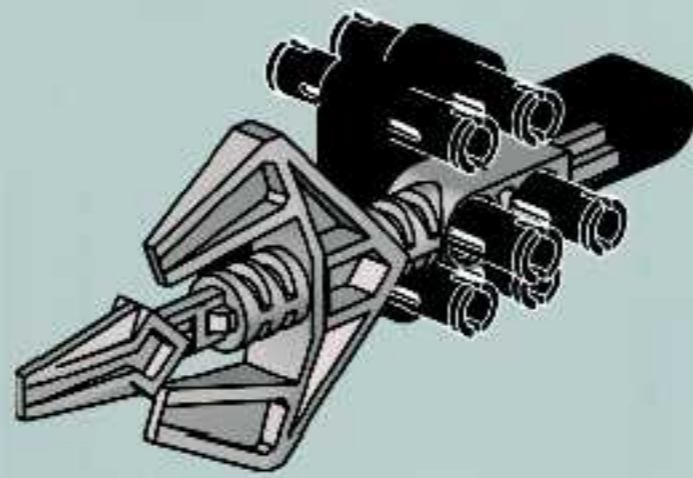
1



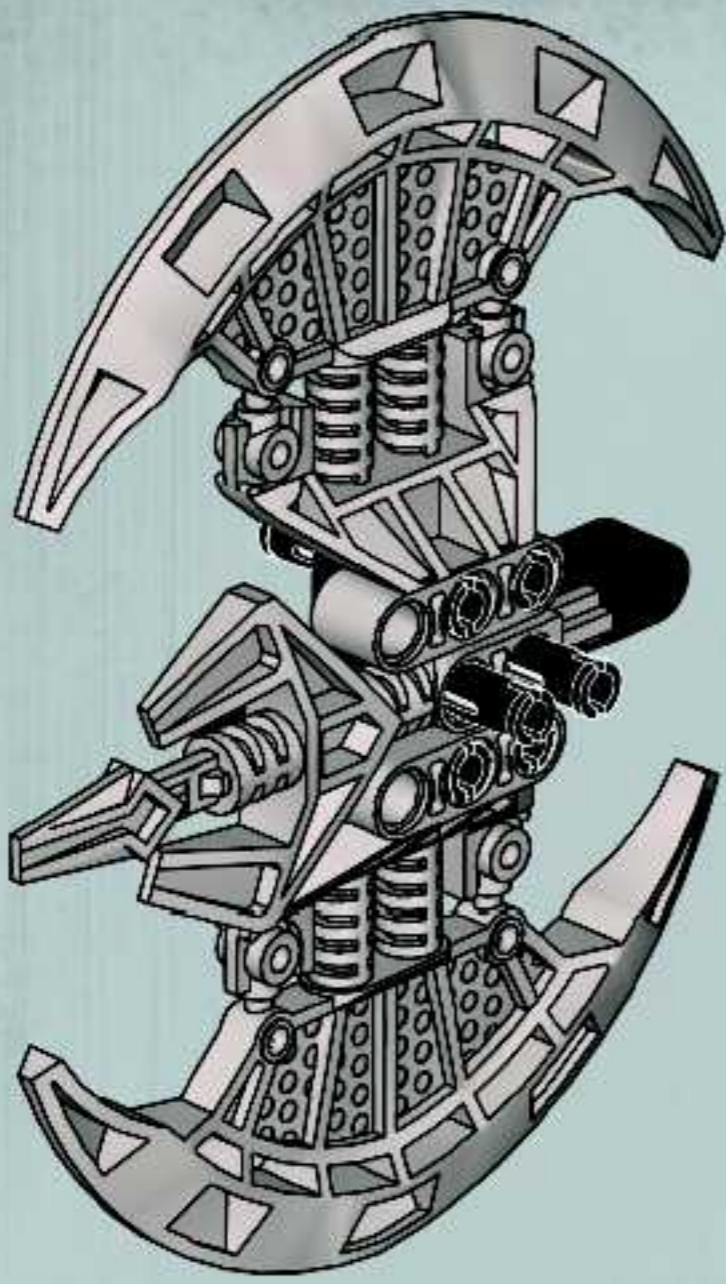
2



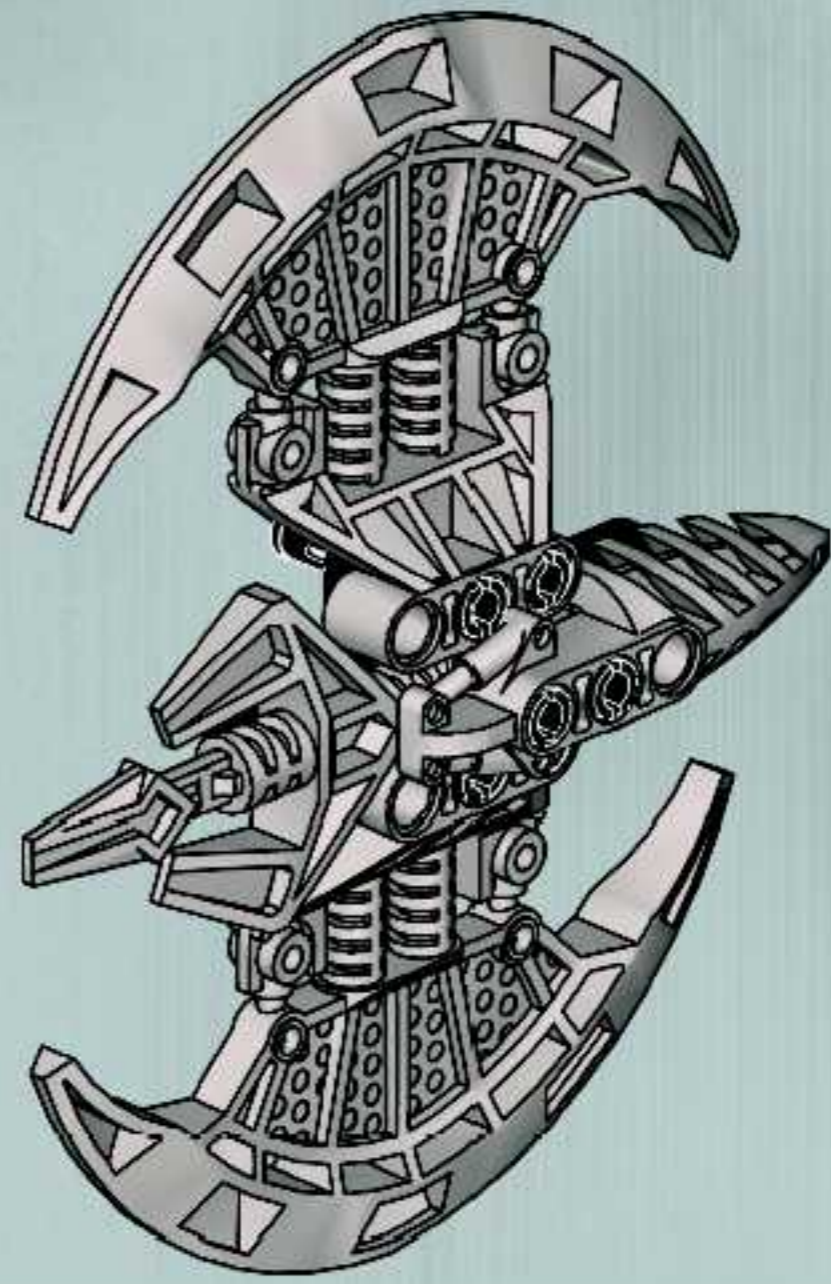
3



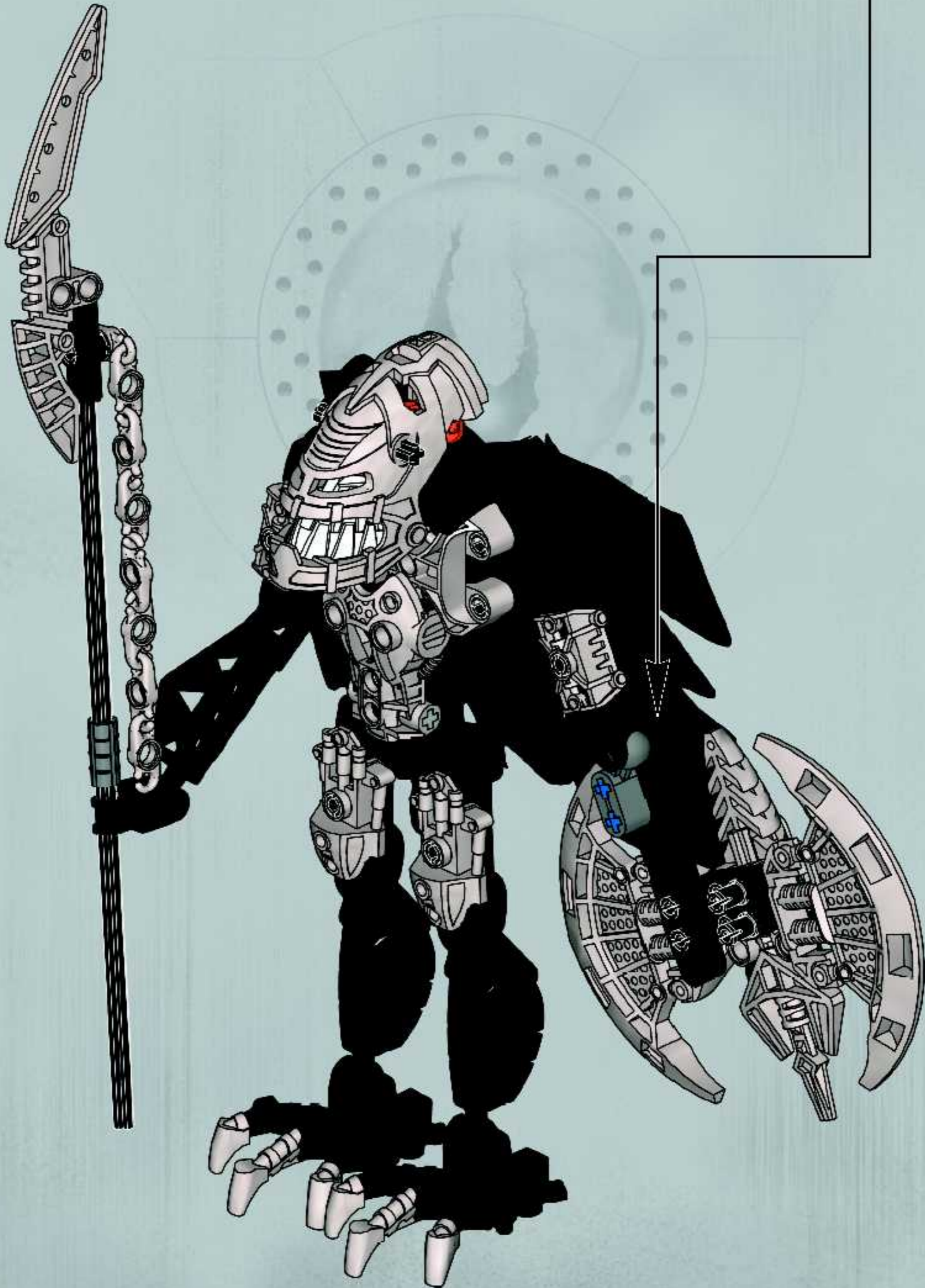
4



5



12





BIONICLE® Heroes
The new official video game
Coming Soon

BIONICLE® Heroes
Das neue offizielle Videospiel
Demnächst erhältlich

BIONICLE® Heroes
Le nouveau jeu vidéo officiel
Prochainement

BIONICLE® Heroes
El nuevo videojuego oficial
Muy pronto

BIONICLE® Heroes
O novo jogo de vídeo oficial
A chegar brevemente

BIONICLE® Heroes
Az új hivatalos videojáték
hamarosan a boltokban



www.pegi.info



GAME BOY ADVANCE

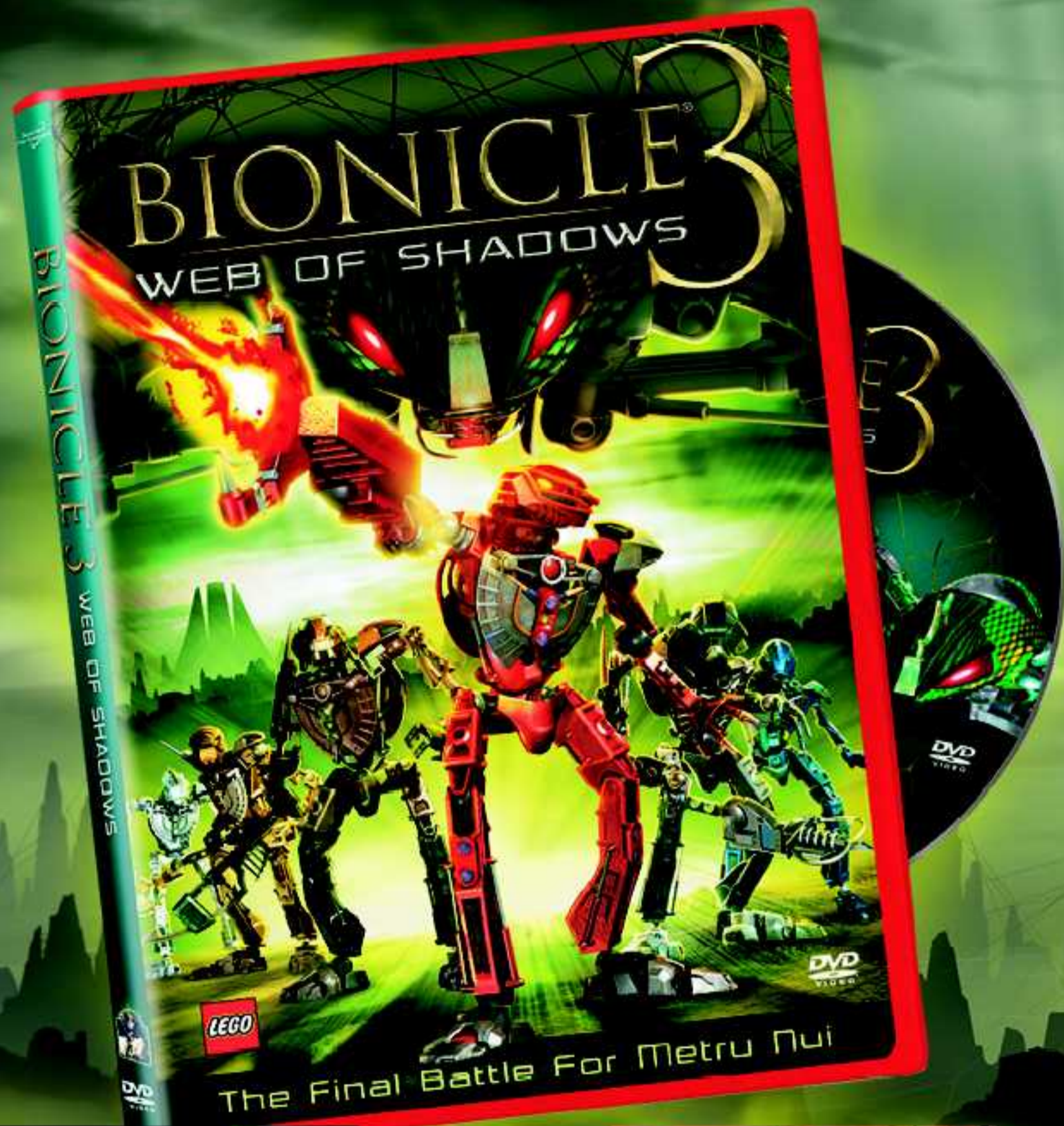


NINTENDO DS

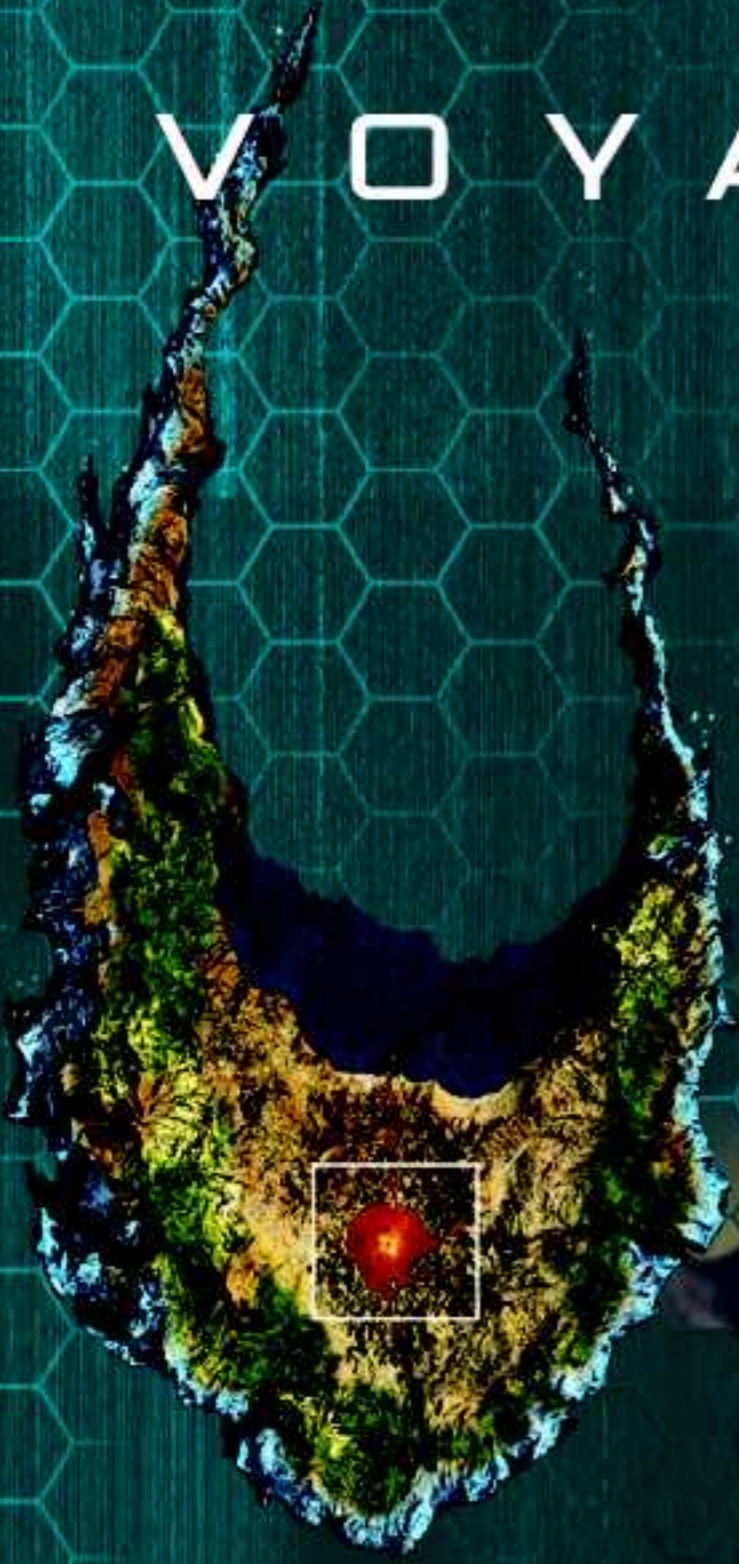
PlayStation 2



BIONICLE® game software © TT Games Publishing Ltd 2008. Developed by Traveller's Tales Ltd. Published by Eidos and TT Games under license from the LEGO Group. LEGO, the LEGO logo and BIONICLE® are trademarks of the/sont des marques de commerce de/son marcas registradas de LEGO Group. ©2008 The LEGO Group. Eidos and the Eidos logo are trademarks of the SCI Entertainment Group. All rights reserved. "B" and "PlayStation" are registered trademarks of Sony Computer Entertainment Inc. All Rights Reserved. Xbox, and the Xbox logos are either registered trademarks or trademarks of Microsoft Corporation in the United States and/or other countries and are used under license from Microsoft. All Rights Reserved. NINTENDO GAMECUBE, THE NINTENDO GAMECUBE LOGO, GAME BOY ADVANCE AND NINTENDO DS ARE TRADEMARKS OF NINTENDO.



VOYAKU



8892 PIRAKA OUTPOST



8893 LAVA CHAMBER GATE



8894 PIRAKA STRONGHOLD

PIRAKA



BIONICLE NIKA

